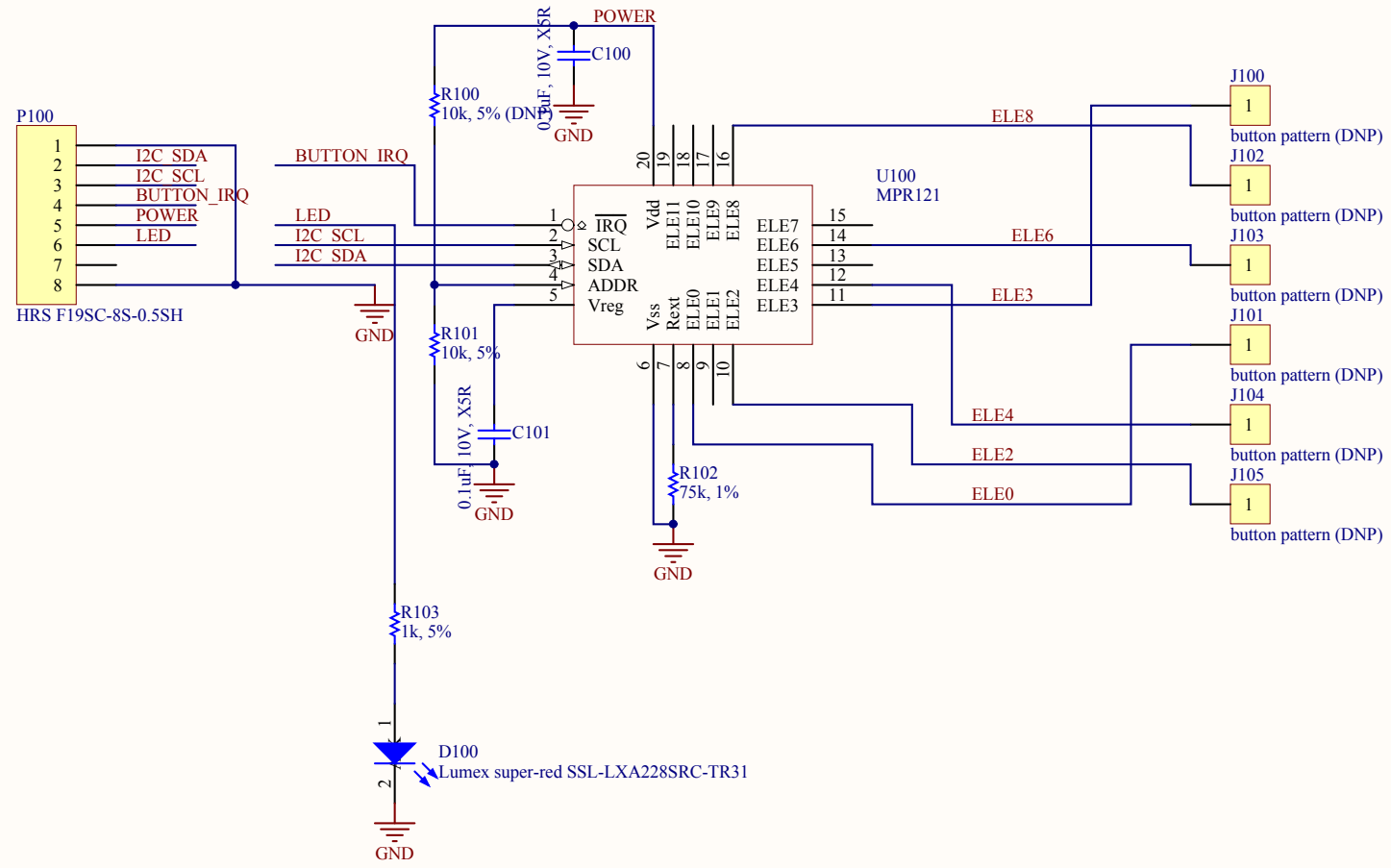


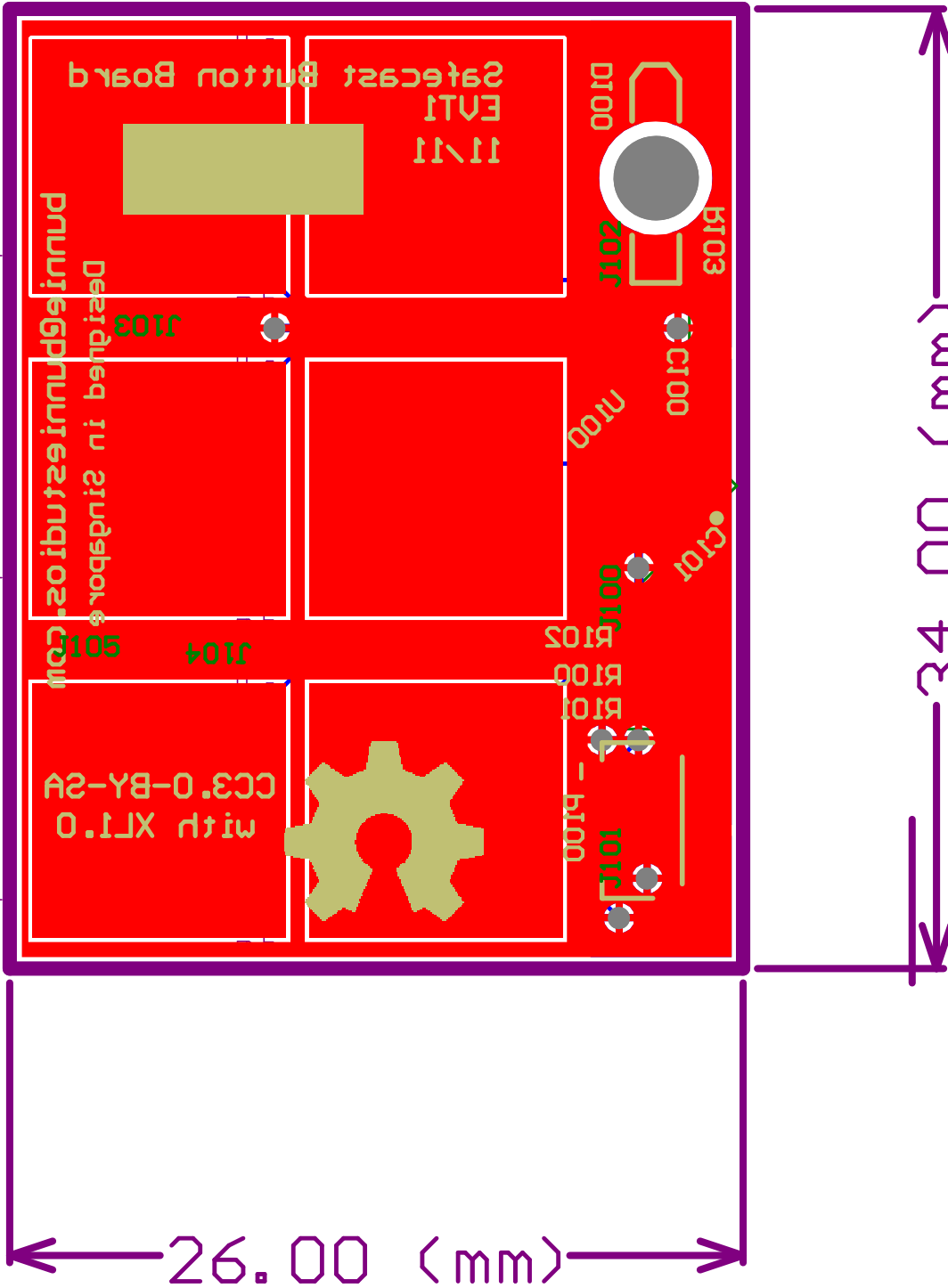
(mirrored pinout)



© Copyright: CC-BY-SA 3.0 Others: XL cross license

Title		
Safecast Button Board v0.1		
Size	Number	Revision
A		
Date:	3/11/2012	Sheet of
File:	C:\largework\...\safecast\bb1.SchDoc	Drawn By:

ground ring required no plane underneath
ground ring required no plane underneath
ground ring required no plane underneath



FR-4
1.5mm finished thickness +0/-10%
1 oz copper
Green soldermask
White silk
SMOBC/HASL

Design contact:
bunnie
bunnie@bunniestudios.com
+65 9733 6927 (voice and SMS)
+1 858 837 2074 (SMS only)