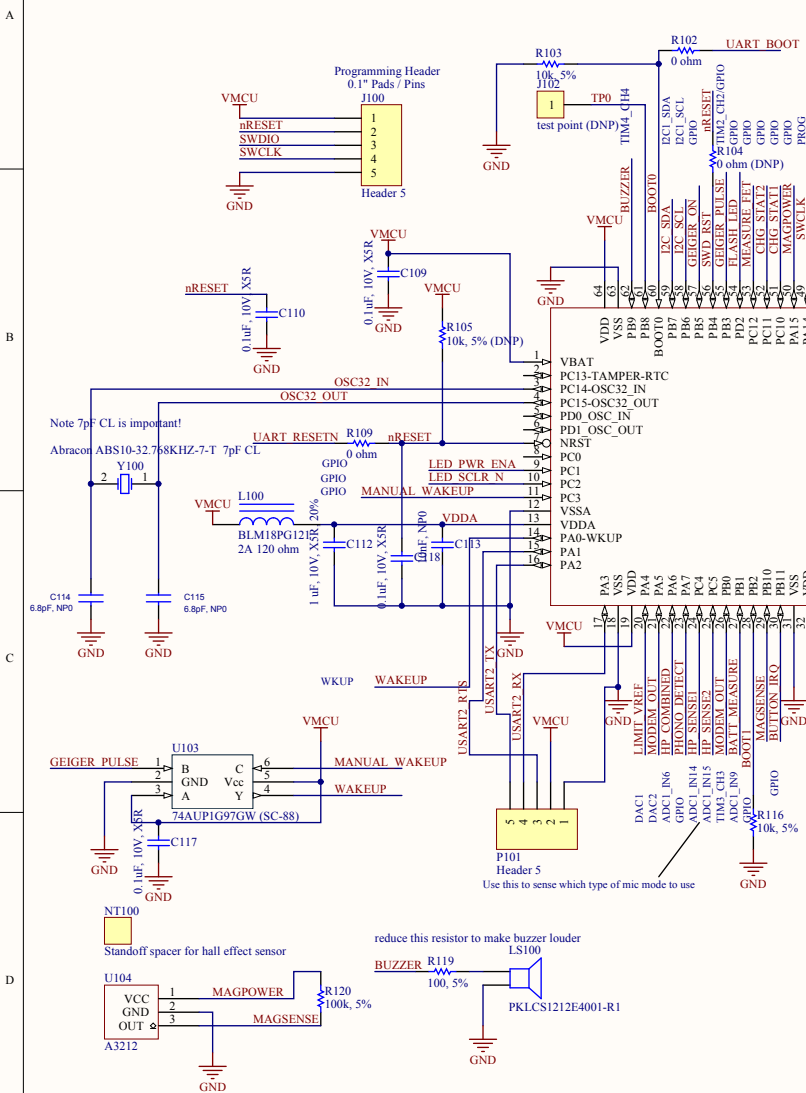
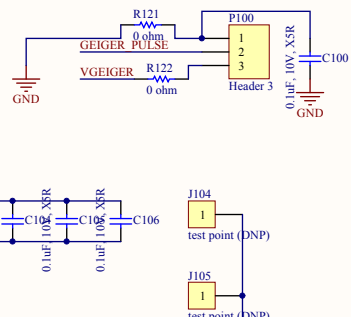


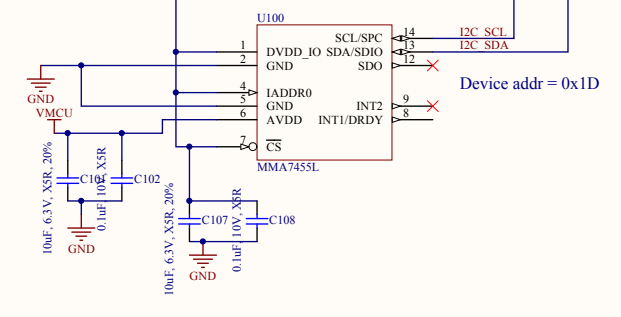
Controller MCU



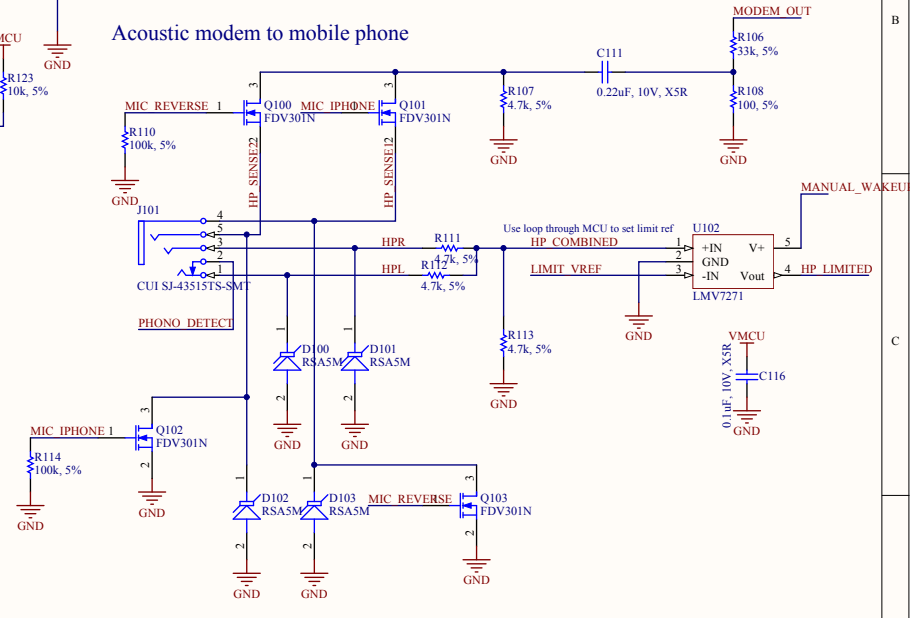
Medcom Geiger Header



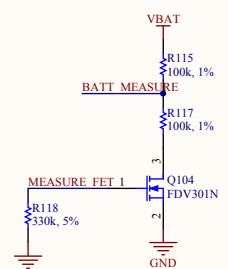
Tilt sensor



Acoustic modem to mobile phone



Check battery voltage (switched to save power)

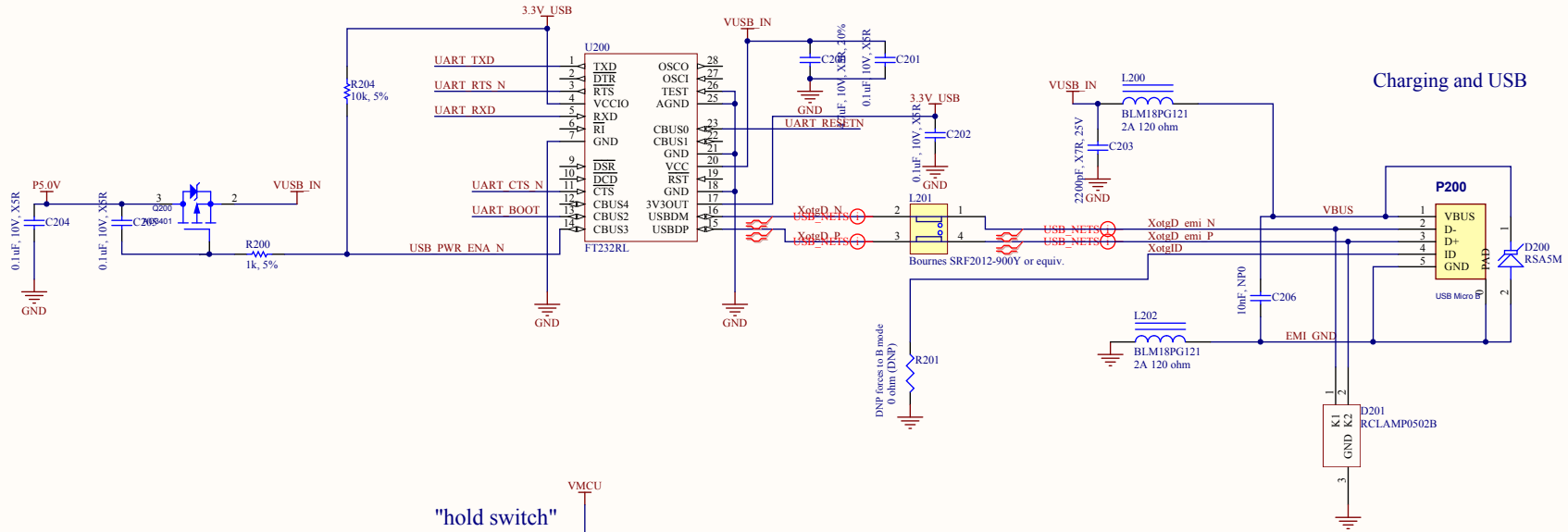


Copyright: CC-BY-SA 3.0 Others: XL cross license

Title		
Safecast Interface Electronics v0.1		
Size	Number	Revision
B		
Date:	3/11/2012	Sheet of
File:	C:\largework\01micro SchDoc	Drawn By:

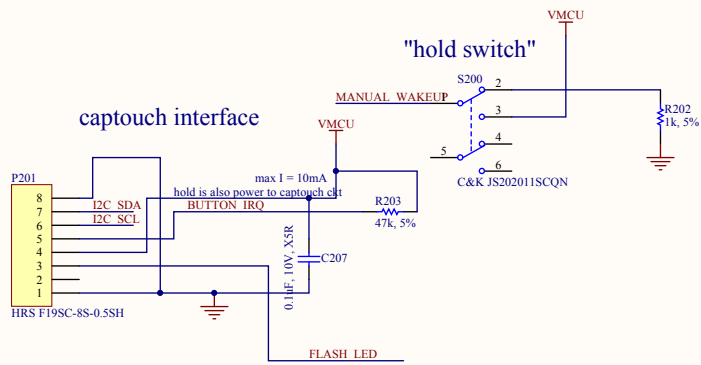
USB to UART

Charging and USB



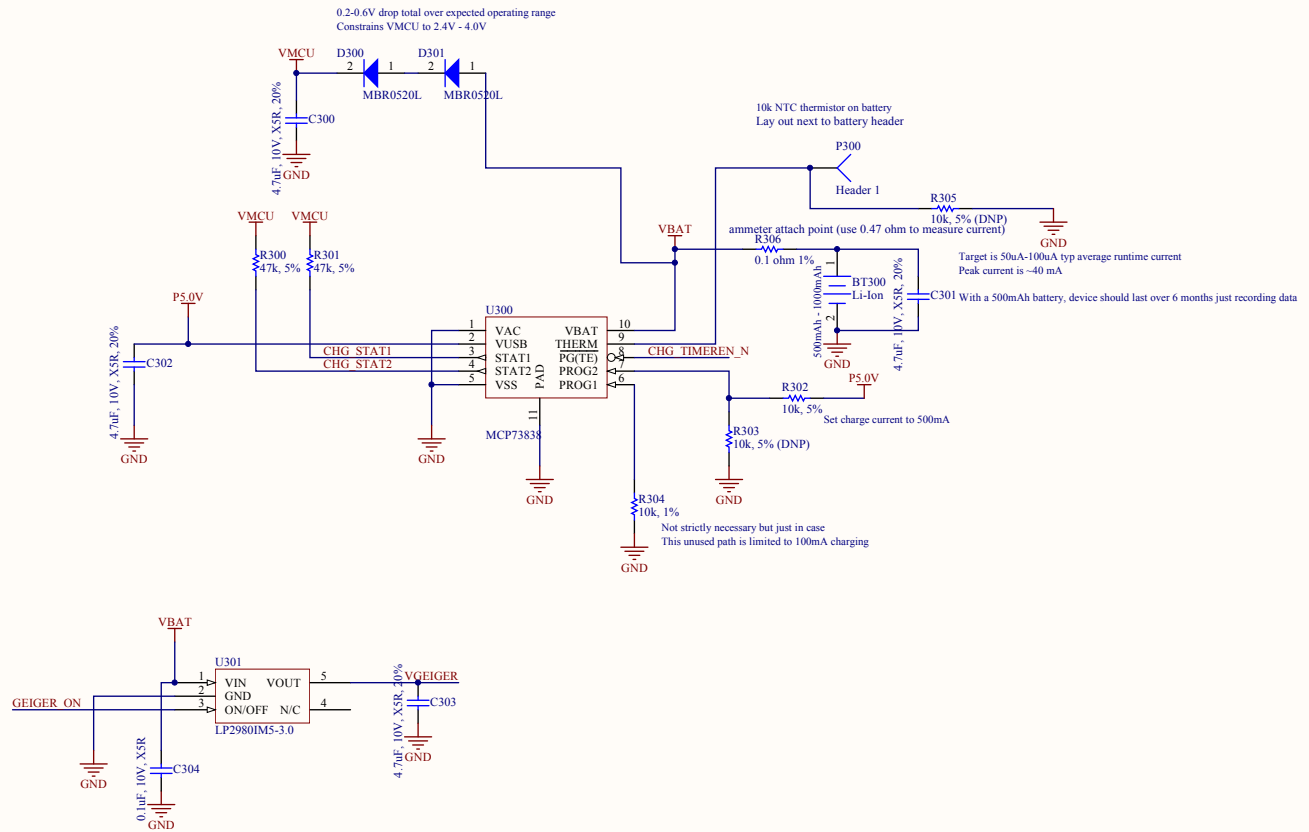
captoch interface

"hold switch"



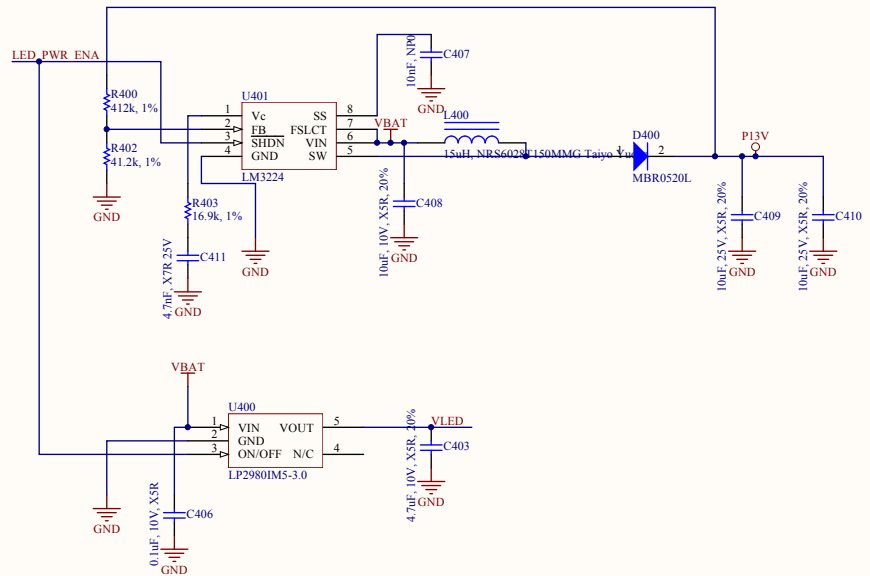
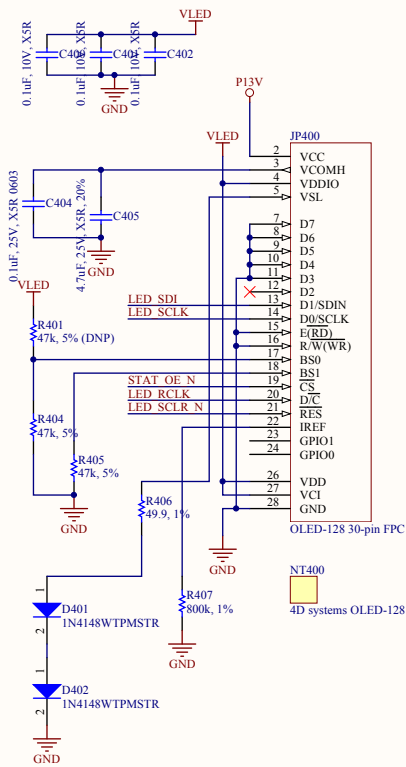
Copyright: CC-BY-SA 3.0 Others: XL cross license

Title		
Safecast Interface Electronics v0.1		
Size	Number	Revision
B		
Date:	3/11/2012	Sheet of
File:	C:\largework\02usb.SchDoc	Drawn By:



Copyright: CC-BY-SA 3.0 Others: XL cross license

Title		
Safecast Interface Electronics v0.1		
Size	Number	Revision
B		
Date:	3/11/2012	Sheet of
File:	C:\largework\03power.SchDoc	Drawn By:

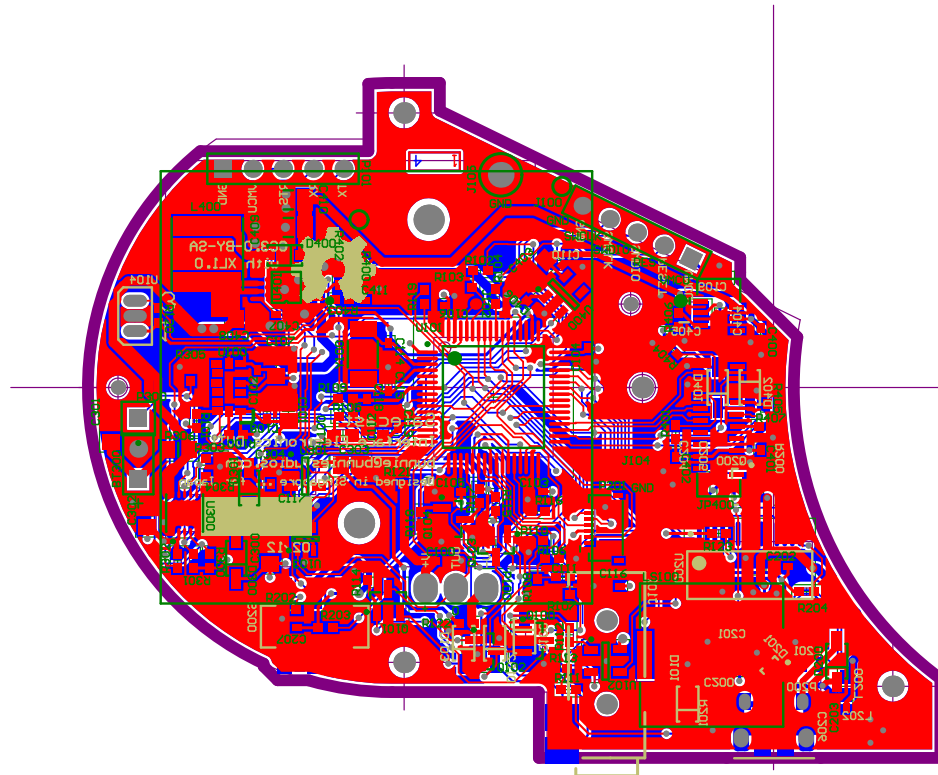


© Copyright: CC-BY-SA 3.0 Others: XL cross license

Title Safecast Interface Electronics v0.1		
Size B	Number	Revision
Date: 3/11/2012	Sheet of	
File: C:\largework\04display.SchDoc	Drawn By:	

Board name: Safecast IE DVT1
 Contact: bunnie@chumby.com (preferred)
 +65 9733 6927 (mobile voice and SMS)
 +1 858 837 2074 (SMS only)

Viewed from ventral side
 mech guides on this layer are for BOTTOM side of board!



Material and thickness

